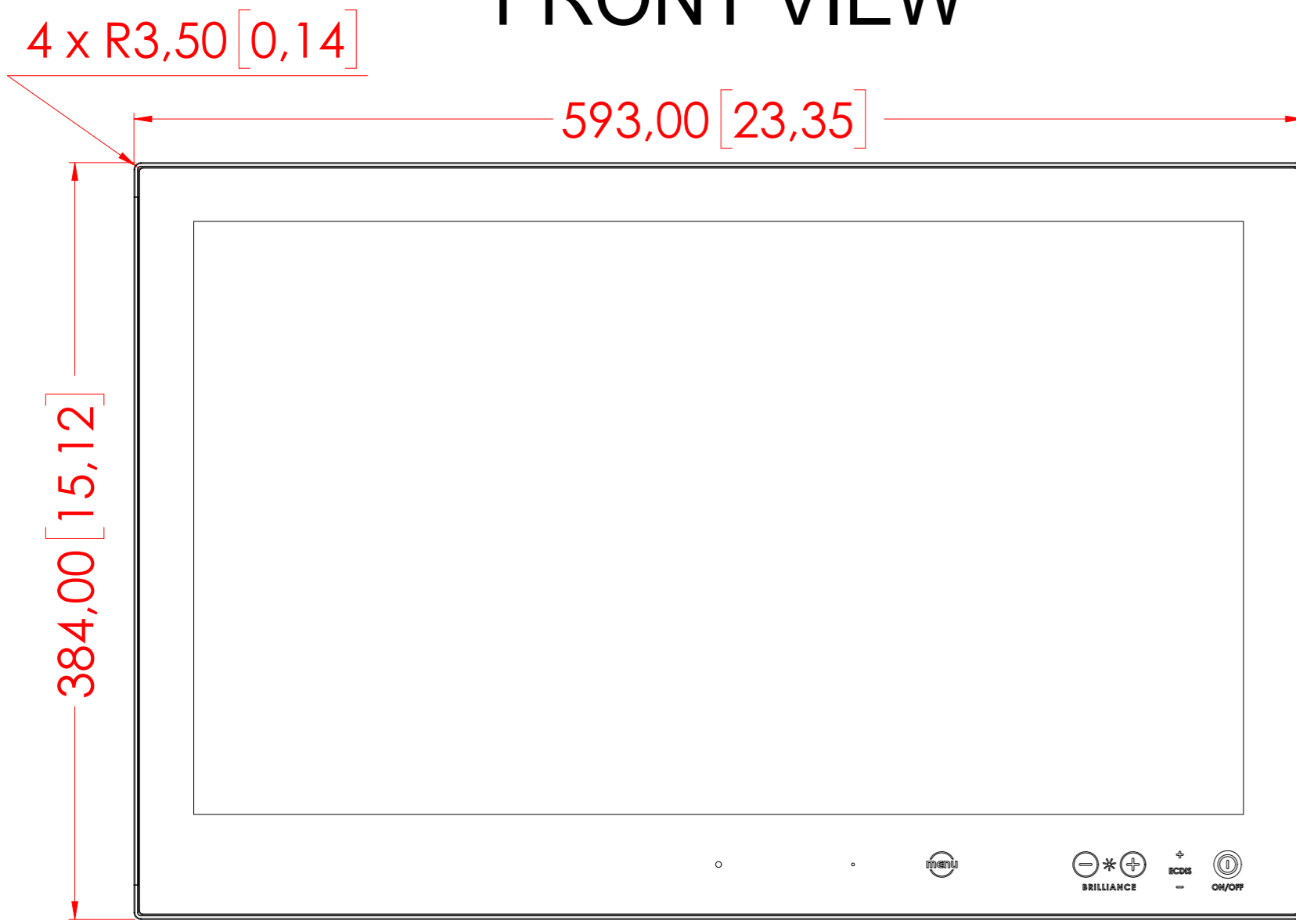
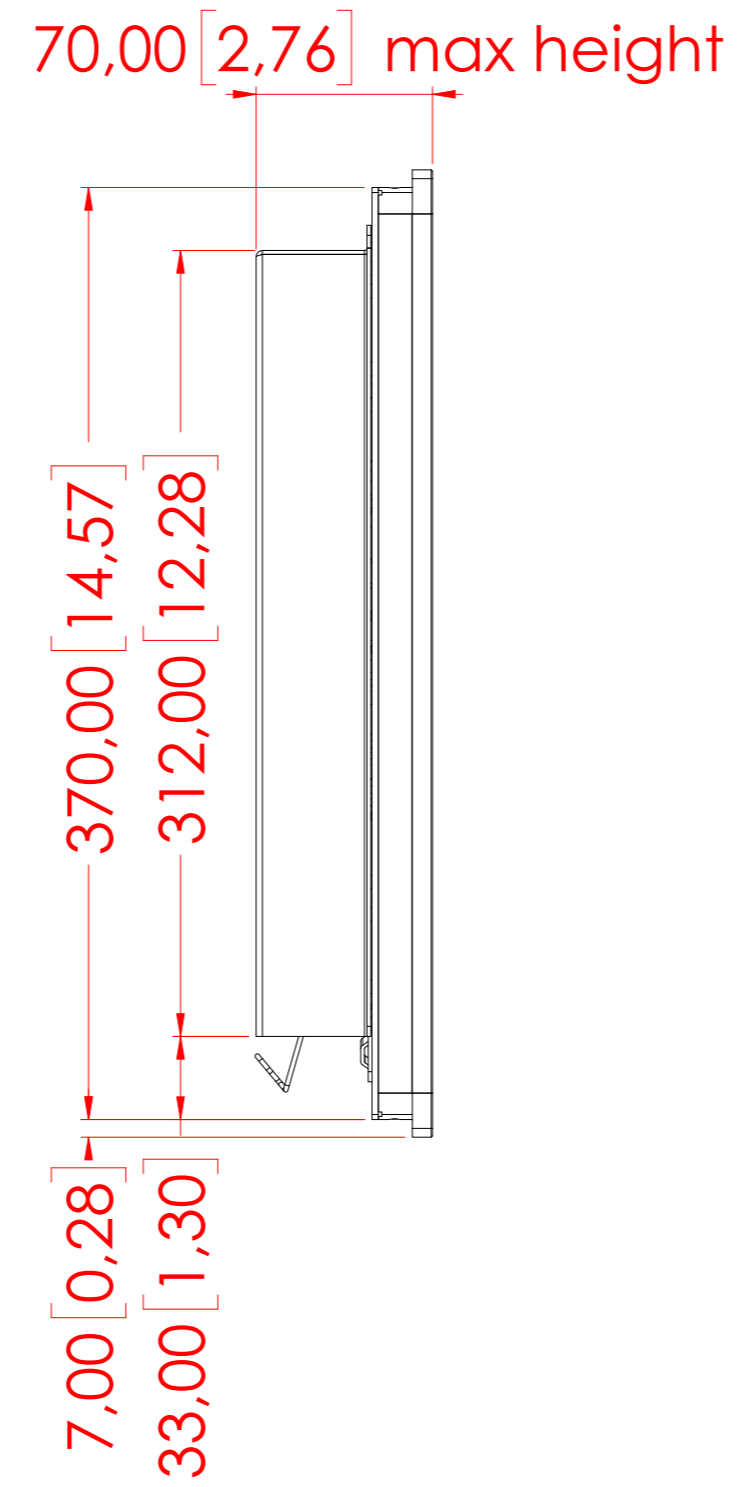


This document is the property of Hatteland Technology AS.
 This document and any authorized reproduction thereof, must not be used in
 any way against the interest of Hatteland Technology AS.
 Any authorized reproduction, in whole or in part, must include this legend.

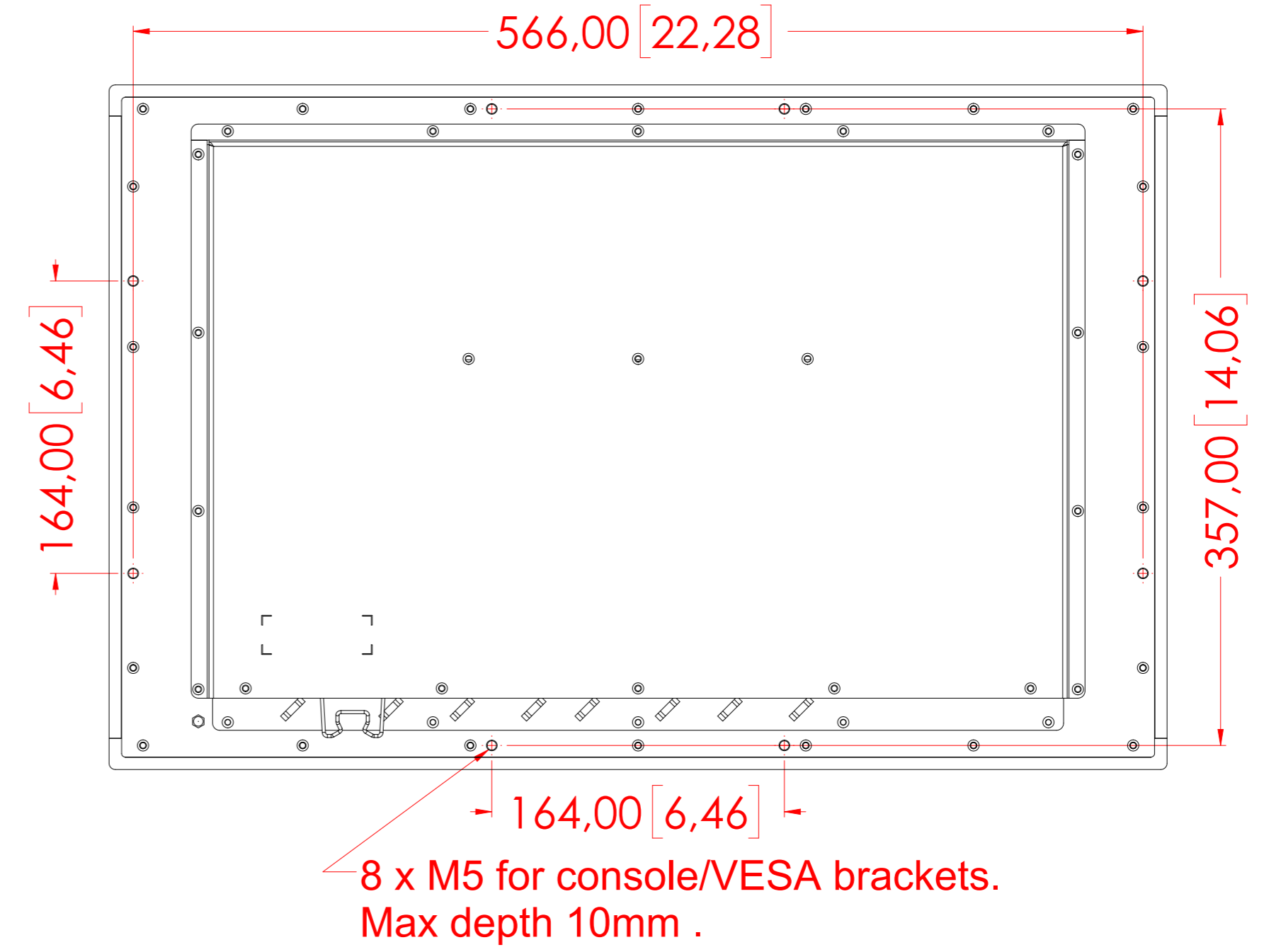
FRONT VIEW



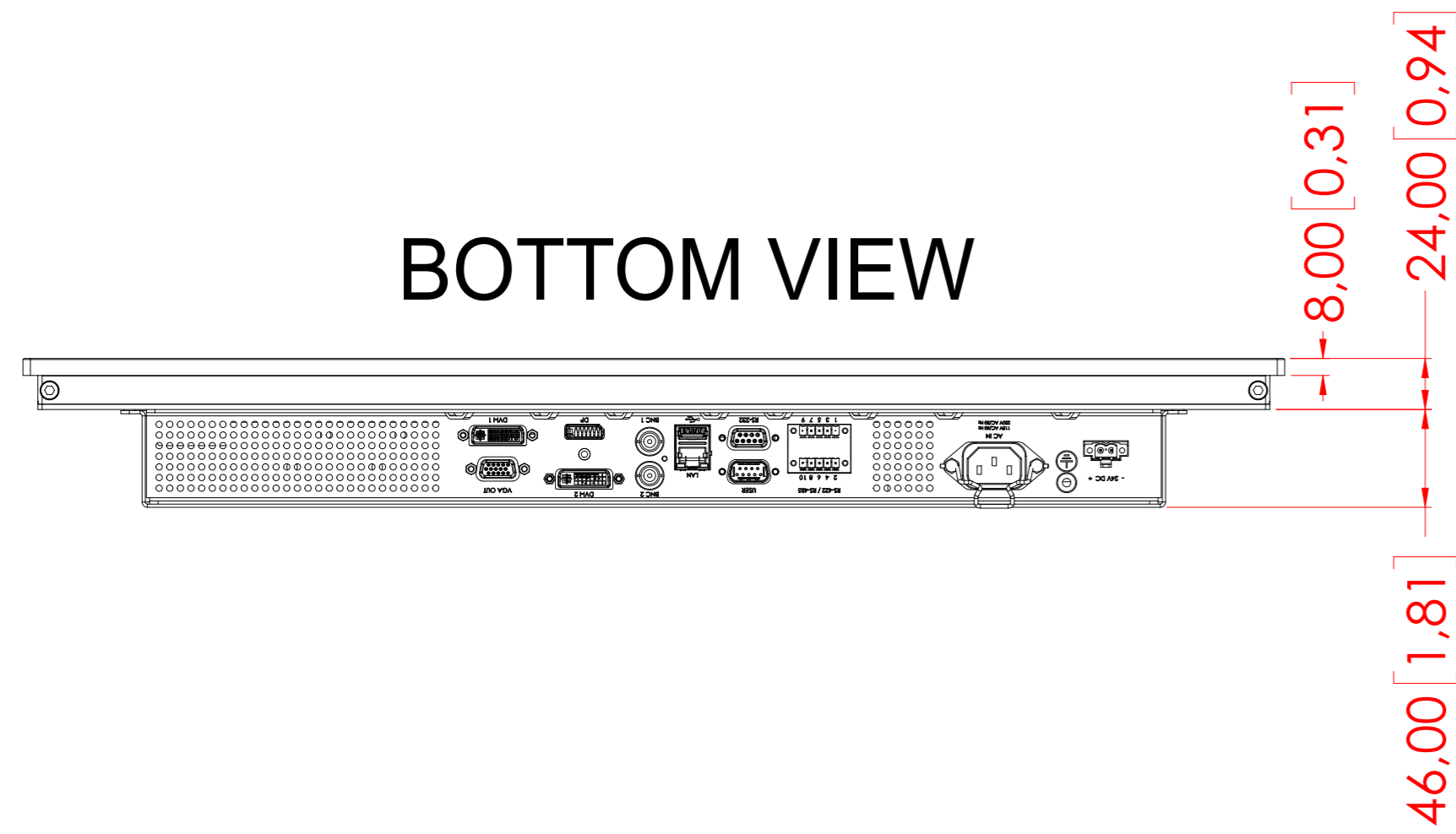
SIDE VIEW



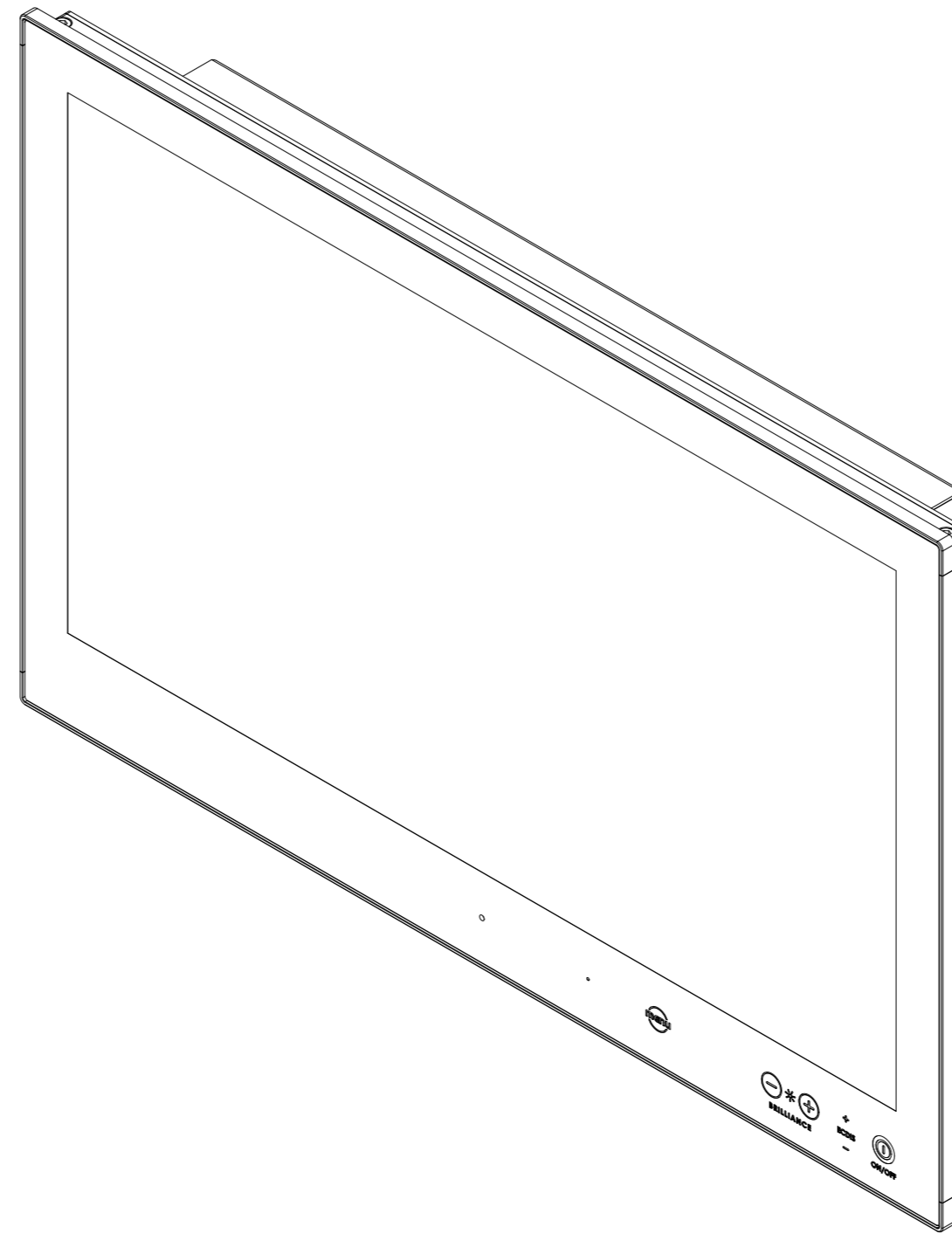
BACK VIEW



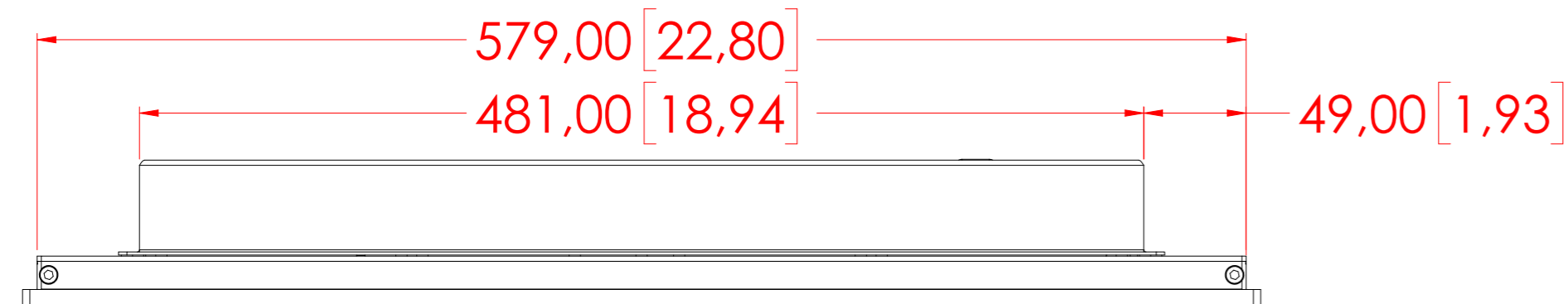
BOTTOM VIEW



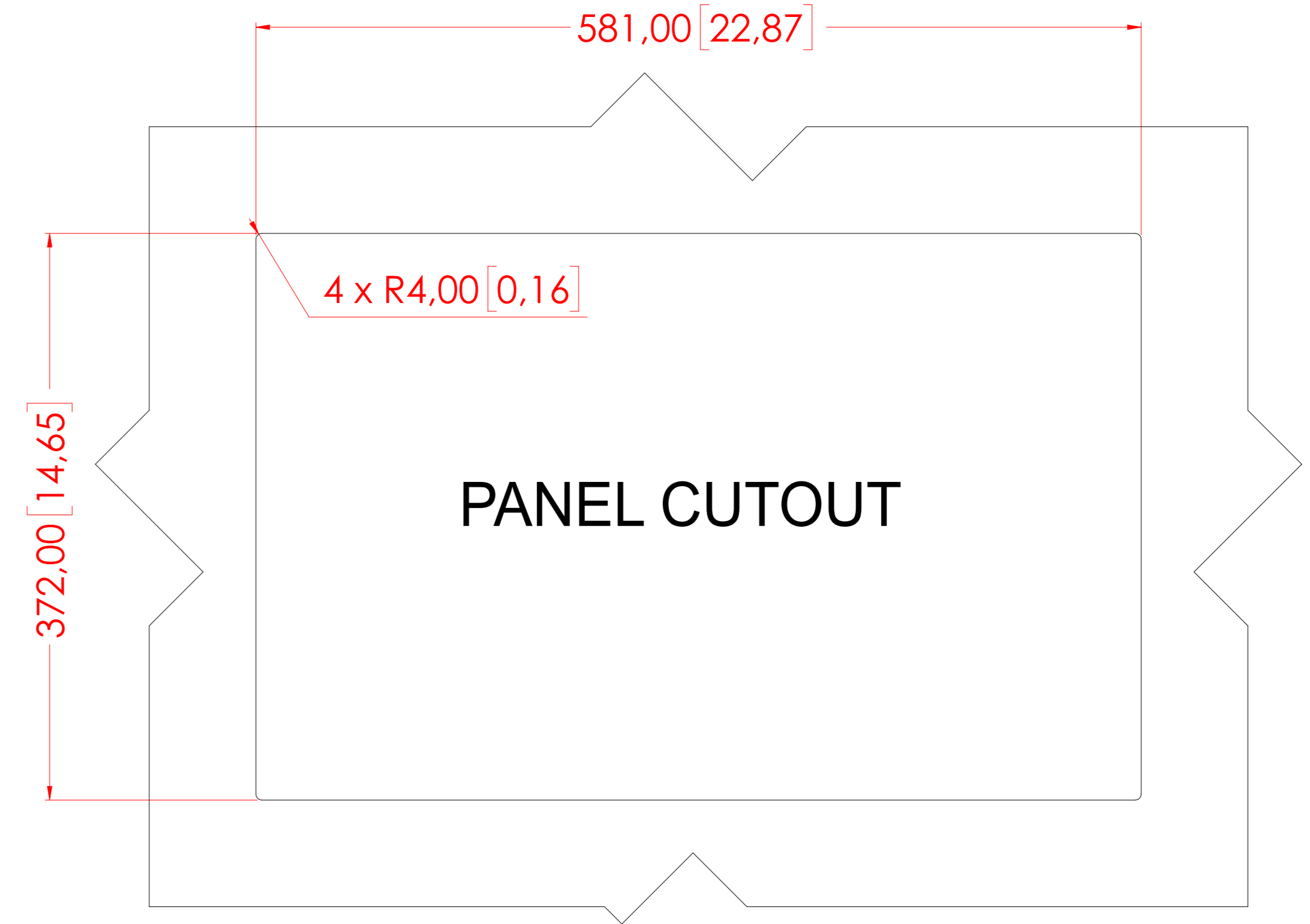
DIMETRIC VIEW



TOP VIEW



PANEL CUTOUT



Units: mm [inches]

SALES DRAWING HD 24T22 MMD-MA1-FAGA
 shown in this drawing, but measurements generally apply for all HD 24T22 MMD-Mxx-xxxx models

Date:	Mechanical Designer:	Projection:	A1	HATTELAND TECHNOLOGY an EMBRON Company ®
22.06.16	7258		Scale: 1:3	Colour code: Approved by: Revision:
Hatteland Technology AS Eikeskogvegen 52 N-5570 Aksdal			Surface treatment:	Drawing number: A009925